

The application will provide information retrieval and data analysis and data access management services. The project will use Webstorm IDEA and Firebase as development tools; React, as the main development framework; JavaScript, HTML, styled-components, and Typescript as the main programming languages.

All in all the program helps to improve overall economics and beneficial for social development. The program uses all the needed features to bring the simplicity and easiness of usage.

**Kudakwashe Mangava**

*(Yanka Kupala State University of Grodno, Belarus)*

### **DEVELOPMENT OF A WEBSITE ABOUT CLASSIFIED ADS FOR ZIMBABWE**

В работе излагаются основные подходы к проектированию и разработке проекта – расширенного сайта объявлений по продаже широкого круга товаров для Республики Зимбабве. На сайте размещаются качественные фотографии (что немаловажно для разрабатываемого проекта), краткое описание продаваемого товара, контактные данные продавца и ценник на услугу или товар, информация о дате размещения объявления на сайте. Расширенный поиск, различные сортировки по цене, дате и области также являются необходимым функционалом разрабатываемого веб-ресурса. В проекте будут использоваться .NET framework, React.JS и PostgreSQL, HTML, CSS и Typescript. После завершения проекта, разрабатываемый веб-ресурс поможет компаниям и частным лицам, продающим товары, рекламировать и продвигать свои товары или услуги, а клиентам будет проще искать интересующие их товары или услуги на веб-сайте.

The number of internet users in Zimbabwe increased by 203 thousand (+4.2%) between 2020 and 2021. This is a great opportunity for businesses and individual selling and wanting to buy goods or products search for them early on internet. Classified ads websites play a role in advertisement, so they are need for them to be developed. The use of websites and web applications to advertise, inform and to execute business transactions has become a standard practice in our modern economy. Customers expect every form of organization that they interact with to develop a web presence.

The purpose for this project is to develop a classified ads website for Zimbabwe. The website includes High-quality photography, summary of the product being sold, contact details of the seller and the price tag for the service or product, Information about the date the advert was posted on the website. Searching sort by price, date and area also will be included on the

website. The Project will use .NET framework, React.JS and, PostgreSQL, HTML, CSS, and Typescript.

If this project is completed, it will help businesses and individuals who are selling products to advertise and promote their products or services, and it will help customers to easily search for products or services that they are interested in on the website.

**Kuruma Mohammed, Mbuyi Michelle Mulumba**  
(F. Skaryna GSU, Gomel)

## MODELING TUNNEL IN COMMUNICATION CHANNELS

В тезисе рассмотрены рекомендации и элементы настройки в системе моделирования Cisco Packet Tracer межсетевых архитектур магистральных IP-тоннелей для решения практических задач при организации удаленной связи.

The process of interaction between backbone data centers can be modeled as shown in Figure 1. Cisco routers play the role of an L3 layer optical receiving device. The GRE configuration are shown in the figure.

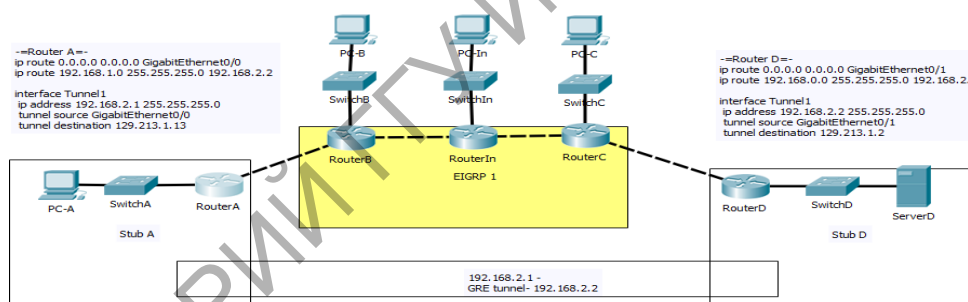


Figure 1 – L3 tunnel setup with static routing

The disadvantage of the solution is the difference in internal addresses between stubA and stubD networks. A number of existing industrial network applications will lose some of their functionality in such a case.

To correct this situation on routers A and D, you can use MPLS technology. On Router A, the inside interface is stripped of its IP address and all of its traffic is routed to the adjacent IP destination on the other side of the GRE tunnel. Similar settings are made on Router D.

Settings for Router A:

```
interface g0/0
no ip add
xconnect 192.168.2.2 11 encapsulation mpls
```